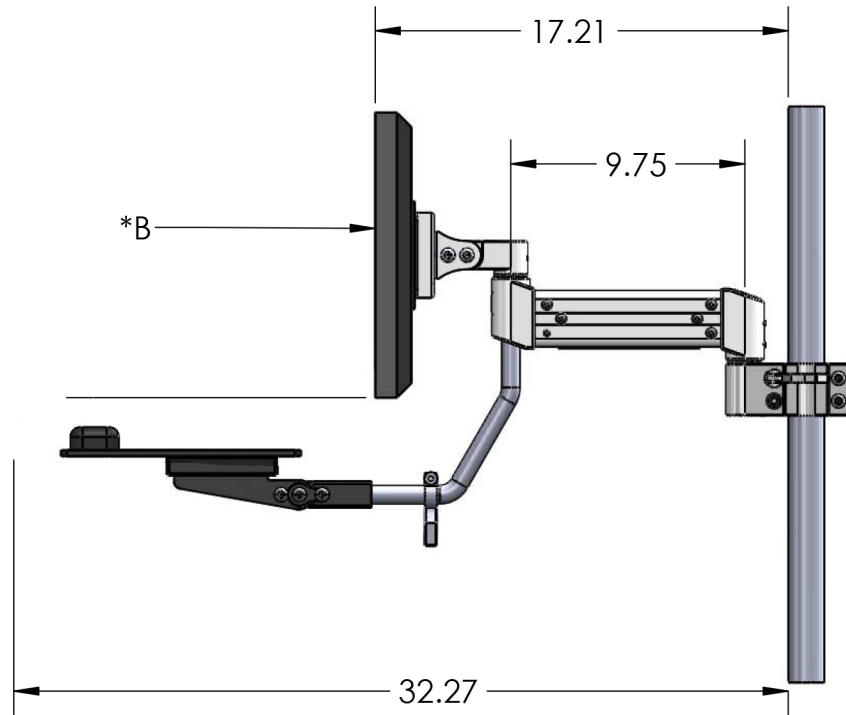
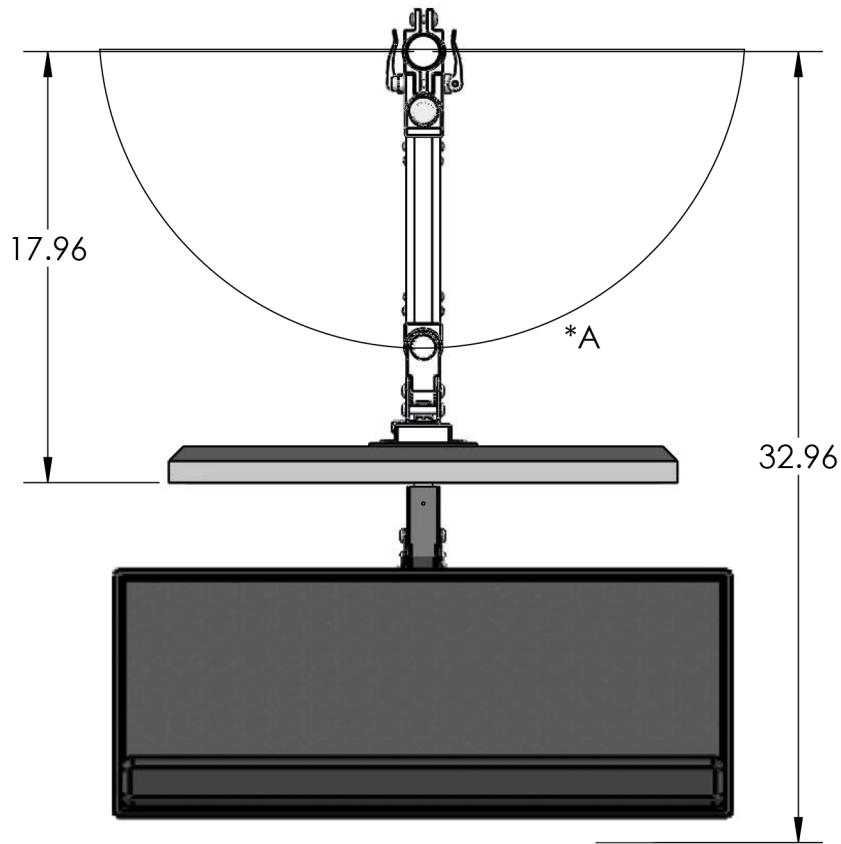


Drawing #: 60239-P10
 Custom 60239-P10



*A: 10" Extension arm has 180 degree L/R Swing. Pole-Monitor Distance is based on arm positioning. (Max distance 17.96")

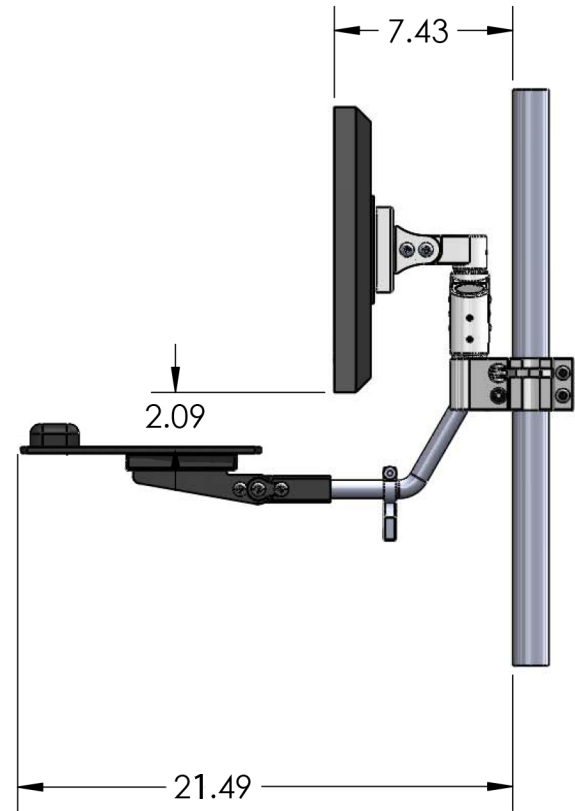
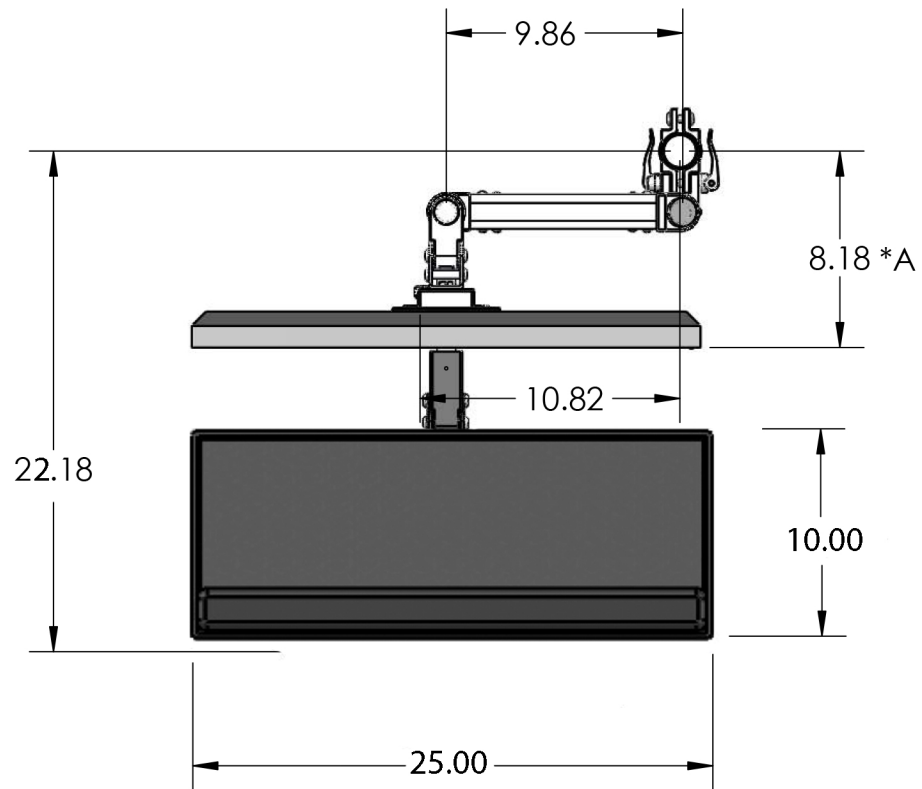
*B: Monitor shown is for drawing purposes only, actual monitor may vary. Monitor not included in configuration (Shown is a Dell 22" Monitor)

PROPRIETARY AND CONFIDENTIAL
 THE INFORMATION CONTAINED IN THIS DRAWING IS THE SOLE PROPERTY OF CUSTOM PRODUCTS AND SERVICES. ANY REPRODUCTION IN PART OR AS A WHOLE WITHOUT THE WRITTEN PERMISSION OF CUSTOM PRODUCTS AND SERVICES, IS PROHIBITED.

		UNLESS OTHERWISE SPECIFIED:		NAME	DATE
		DIMENSIONS ARE IN INCHES	DRAWN	NJN	9-15-16
		TOLERANCES:	CHECKED		
		FRACTIONAL ±	ENG APPR.		
		ANGULAR: MACH ± BEND ±	MFG APPR.		
		TWO PLACE DECIMAL ±	Q.A.		
		THREE PLACE DECIMAL ±	COMMENTS:		
		INTERPRET GEOMETRIC TOLERANCING PER:			
		MATERIAL			
NEXT ASSY	USED ON	FINISH			
APPLICATION		DO NOT SCALE DRAWING			

TITLE: Custom 60239-P10 Configuration		
SIZE A	DWG. NO. 60239-P10	REV
SCALE: 1:16	WEIGHT:	SHEET 1 OF 2

Drawing #: 60239-P10
 Custom 60239-P10



*A: Configuration shown at full left adjustment. (Minimum Distance Pole-Monitor (8.18"))

*B: Monitor shown is for drawing purposes only, actual monitor may vary. Monitor not included in configuration (Shown is a Dell 22" Monitor)

PROPRIETARY AND CONFIDENTIAL
 THE INFORMATION CONTAINED IN THIS DRAWING IS THE SOLE PROPERTY OF CUSTOM PRODUCTS AND SERVICES. ANY REPRODUCTION IN PART OR AS A WHOLE WITHOUT THE WRITTEN PERMISSION OF CUSTOM PRODUCTS AND SERVICES IS PROHIBITED.

		UNLESS OTHERWISE SPECIFIED:		NAME	DATE			
		DIMENSIONS ARE IN INCHES	DRAWN	NJN	9-15-16	TITLE: Custom 60239-P10 (Full Left)		
		TOLERANCES:	CHECKED					
		FRACTIONAL ±	ENG APPR.					
		ANGULAR: MACH ± BEND ±	MFG APPR.					
		TWO PLACE DECIMAL ±	Q.A.					
		THREE PLACE DECIMAL ±	COMMENTS:					
		INTERPRET GEOMETRIC TOLERANCING PER:				SIZE	DWG. NO.	REV
		MATERIAL				A	60239-P10	
NEXT ASSY	USED ON	FINISH				SCALE: 1:16	WEIGHT:	SHEET 2 OF 2
APPLICATION		DO NOT SCALE DRAWING						